

**Receiver**

**From**

Company  
Reference  
Address  
Phone  
Fax  
E-mail

**Item n° :**

**Customer pos. no.:**

60194426

**Model :**

E.SWIM 150 GAS

**Pump data**

Pressure rating : 2,5 atm  
Min. fluid temperature : 4 °C  
Max. fluid temperature : 40 °C  
Max. Ambient temperature : 50 °C

**Requested data**

Flow :  
Head :  
Fluid : Water  
Fluid Temperature : 20 °C  
Density : 998,3 kg/m<sup>3</sup>  
Kinematic viscosity : 1,005 mm<sup>2</sup>/s  
Vapor pressure : 0,02 atm

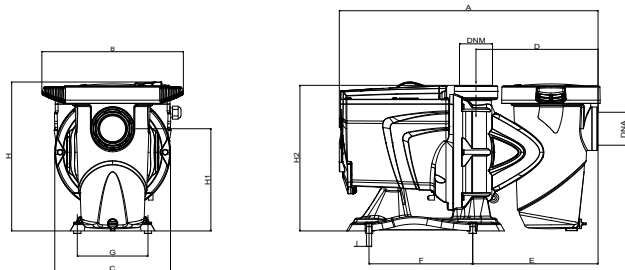
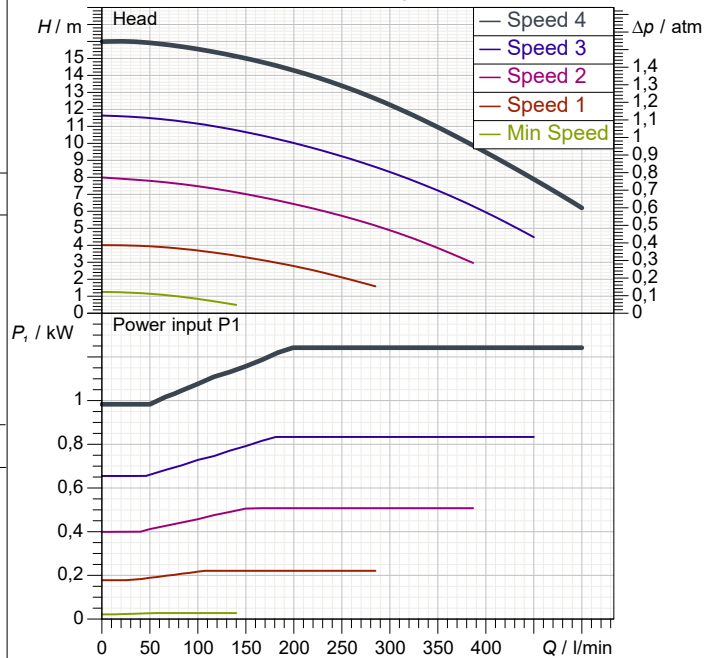
**Hydraulic data (duty point)**

Flow :  
Head :

**Materials**

Pump body Reinforced technopolymer  
Impeller Reinforced technopolymer  
Diffuser Reinforced technopolymer  
Filter Technopolymer  
Mechanical seal Carbon/Alumina/NBR/AISI316  
Filter cover Polycarbonate  
O-ring NBR

**Curve tolerance according to ISO 9906**



**Weight :** 19 kg

**Motor data**

Motor brand : DAB  
Power input P1 : 1,25 kW  
Rated speed : 4.500 1/min  
Rated voltage : 1~ 230 V 50 Hz  
Nominal current : 5,6 A  
Degree of protection : IP X5

**Dimensions in mm**

A	550
B	300
C	245
D	259
DNA	2"
DNM	2"
E	266
F	220
G	150
H	316
H1	217
H2	309
I	11

**Pump connection**

Suction side : 2" G / 2,5 atm  
Discharge side : 2" G / 2,5 atm

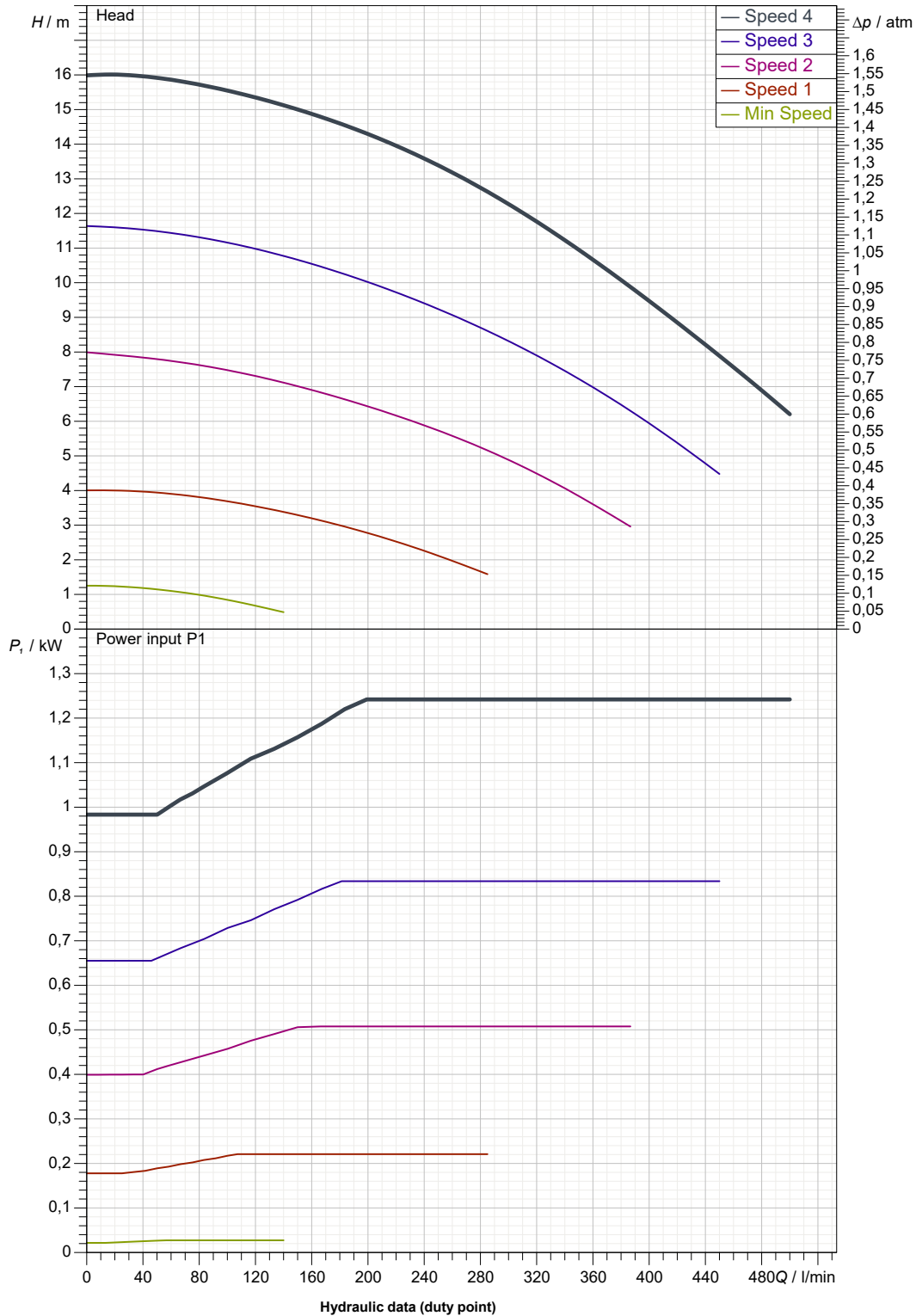
Receiver

From

Company  
Reference  
Address  
Phone  
Fax  
E-mail

## E.SWIM 150 GAS

Curve tolerance according to ISO 9906



Suction side :  
2" G  
2,467 atm

Discharge side :  
2" G  
2,467 atm

Flow :

Head :

Rated speed :  
4.500 1/min

MAIN\_PROJECT\_TITLE

BUSINESS\_PROCESS\_ID

OWNER\_

ISSUE\_DATE  
2023-10-29



# DIMENSIONAL DRAWING

2023-10-29

Page 3 / 3

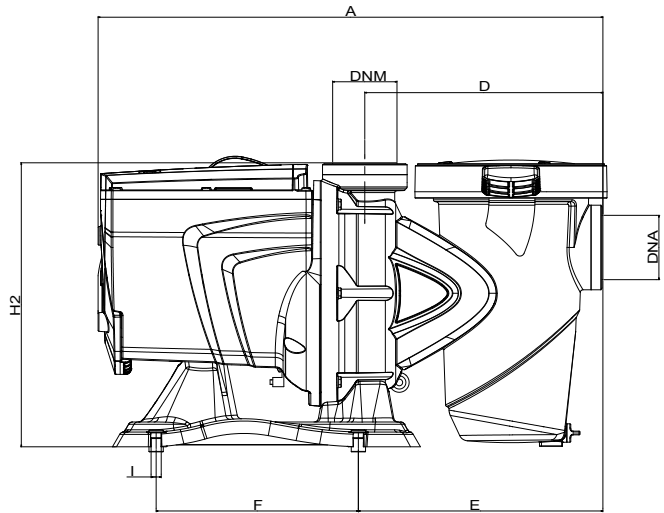
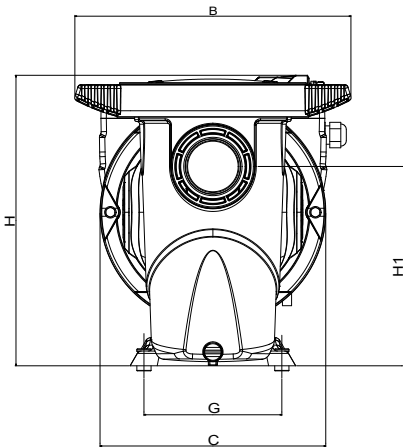
DAB PUMPS S.p.A.  
Via Marco Polo, 14 - 35035 Mestrino (PD), Italy  
Tel. +39 049 5125000 - Fax +39 049 5125950  
www.dabpumps.com

Receiver

From

Company  
Reference  
Address  
Phone  
Fax  
E-mail

## E.SWIM 150 GAS



Dimensions in mm					Pump connection	
1	A	550	H2	309	Suction	
2	B	300	I	11	2" G	
3	C	245			2,467 atm	
4	D	259			Discharge	
5	DNA	2"			2" G	
6	DNM	2"			2,467 atm	
7	E	266				
8	F	220				
9	G	150				
10	H	316				
11	H1	217				

MAIN_PROJECT_TITLE	BUSINESS_PROCESS_ID	OWNER	ISSUE_DATE 2023-10-29
--------------------	---------------------	-------	--------------------------